

CC1908S-1



Mini Crawler Crane

CC1908S-1

Specifications

Capacity	Maximum	8.1t x 2.8m
Working radius	Maximum	19.23m (20.9m with Fly-Jib)
Lifting height	Maximum	20.1m (26.0m with Fly-Jib)
Dimensions	CC1908	7380mm x 2490mm x 3015mm
Weight	CC1908	19,400kg (19,900kg with Fly-Jib)
	CC1908 + blade	20,350kg (20,850kg with Fly-Jib)
Number of wire falls	For Hook	6 falls / 4 falls / 2 falls / (1 fall option)
Hook speed	Maximum	27.0m/min (4 layers, 6 falls)
Hoist wire rope	Type	IWRC 6 x Fi (29) Ø 10 mm x 160m
Telescopic system	Boom length	5.52m – 8.99m – 12.46m – 15.93m – 19.40m
	Telescoping speed	13.88m / 51sec.
	Boom type	Fully automatic 5-section pentagonal telescopic boom
Boom hoist system	Hoist angle / speed	0~80deg / 23sec
Slew system	Slew angle / speed	360° continuous / 2.5 rpm
Drive	Type	Independent steering controls, hydraulic piston motor with built-in automatic brake, planet reduction gears, sprocket and crawler.
	Traction speed	Low, forward & backward 0-1.8 km/h High, forward & backward 0-3.1 km/h
	Gradability	20°
	Ground length x width	2900mm x 500mm
	Ground pressure	0.67 kgf / cm ² (0.69 kgf / cm ² with Fly-Jib)
	Ground pressure with blade	0.70 kgf / cm ² (0.72 kgf / cm ² with Fly-Jib)
Engine	Model	Yanmar 4TNV98CT
	Type	4 cylinder diesel, water cooled, direct injection
	Rated output	52.3kW / 2,100 rpm
	Emission level	EU Stage V
	Fuel tank capacity	Diesel / 150 L
Standard equipment	Moment limiter, steel tracks with rubber pads, overwind protection, load indicator, hydraulic safety valves, wire rope latch, level, EMO switch, LED working status lamp, safety lock lever, working light, hour meter, tilt alarm, slew restriction system, 6-fall / 4-fall / 2-fall hook block, surround view camera, data logger.	
Optional equipment	Hydraulic type fly-Jib (1.5t), searcher hook (2.0t), single fall hook (1.5t), tool box, blade, radio remote control, fuel feed pump, side mirror.	

- 8.1t x 2.8m Max Capacity
- 20.1m Max Lifting Height
- 19.23m Max Working Radius
- 3.5t Pick & Carry Capacity



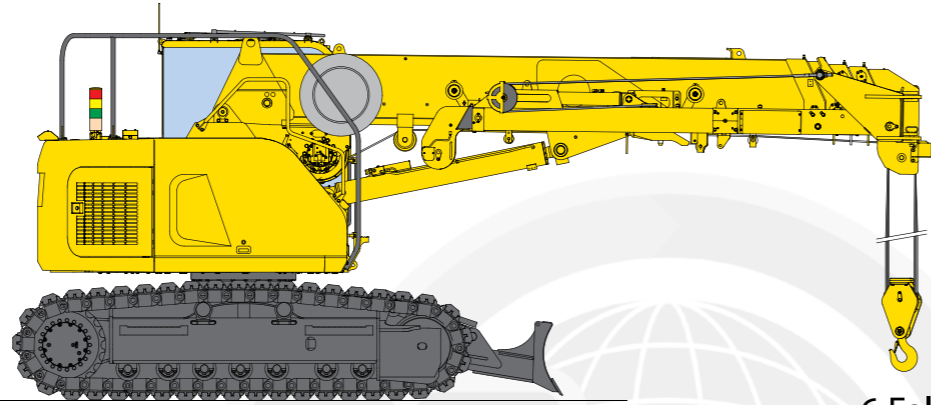
www.kranlyft.com



www.kranlyft.com

The CC1908 crawler crane is the strongest Maeda crane yet with many market-leading qualities including a massive 8.1 ton lifting capacity, a 20.1m lifting height and 3.5 ton pick and carry capacity. And many impressive features, such as a new 10.4" touchscreen monitor display, boom slew limit setting, surround-view camera and monitor, wide view roof window and a sunshade and visor as standard. With its massive 3.5 ton pick and carry capacity, this crane offers improved features coupled with great lifting duties.

This model also includes an EU stage V and EPA Final Tier 4 compliant engine to make it more environmentally friendly and fuel-efficient.



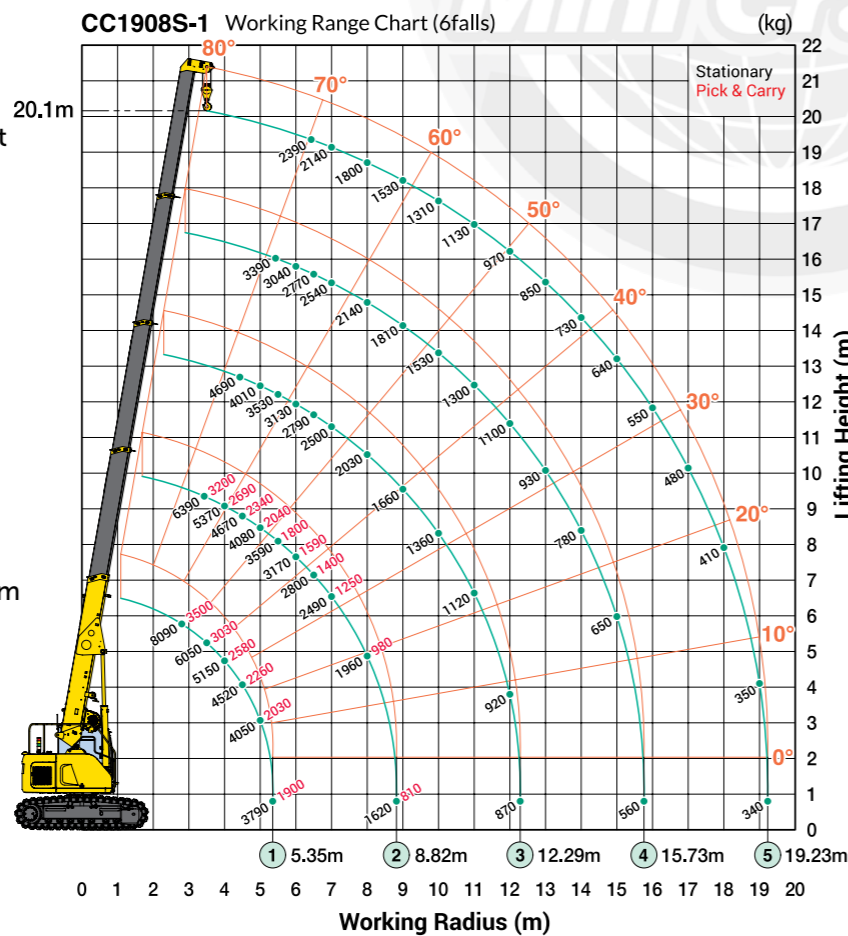
6 Fall
23.2m

4 Fall
35.8m

2 Fall
73.2m

Single Fall
148.8m

- 8.1 Ton Max Capacity
- 20.1m Max Working Height
26m with Optional Fly-Jib Attachment
- 3.5 ton Pick & Carry Duty
- 10.4 inch Touchscreen Multi Monitor
- Powerful Two Speed Winch with Hydraulic Disc Brake
- Slew Restriction Device
- 6 Fall / 4 Fall / 2 Fall Hook Block
- Tilt Sensor/Alarm
- Surround View Camera System
- Data Logger
- Automatic Heptagonal 5-Section Boom
- Minimal Tail Swing (1675mm)
- Wide View Roof Window



This working range chart shows total rated load including boom and jib deflection.

Working radius (m)	Total rated load (6 falls)									
	5.52m Boom		8.99m Boom		12.46m Boom		15.93m Boom		19.40m Boom	
	Stationary	Pick & Carry	Stationary	Pick & Carry	Stationary	Pick & Carry	Stationary	Pick & Carry	Stationary	Pick & Carry
2.00	8090	3500	6390	3200						
2.50	8090	3500	6390	3200	4690					
2.80	8090	3500	6390	3200	4690					
3.00	7430	3500	6390	3200	4690		3390			
3.50	6050	3030	6250	3130	4690		3390		2390	
4.00	5150	2580	5370	2690	4690		3390		2390	
4.50	4520	2260	4670	2340	4590		3390		2390	
5.00	4050	2030	4080	2040	4010		3390		2390	
5.35	3790	1900	3730	1870	3670		3390		2390	
5.50			3590	1800	3530		3340		2390	
6.00			3170	1590	3130		3040		2390	
6.50			2800	1400	2790		2770		2350	
7.00			2490	1250	2500		2540		2140	
8.00			1960	980	2030		2140		1800	
8.82			1620	810	1720		1860		1570	
9.00					1660		1810		1530	
10.00					1360		1530		1310	
11.00					1120		1300		1130	
12.00					920		1100		970	
12.29					870		1050		940	
13.00							930		850	
14.00							780		730	
15.00							650		640	
15.73							560		570	
16.00									550	
17.00									480	
18.00									410	
19.00									350	
19.23									340	



360° Surround View Camera & Monitor System



Wide View Roof Window



10.4" Multi Monitor

Dimensions

