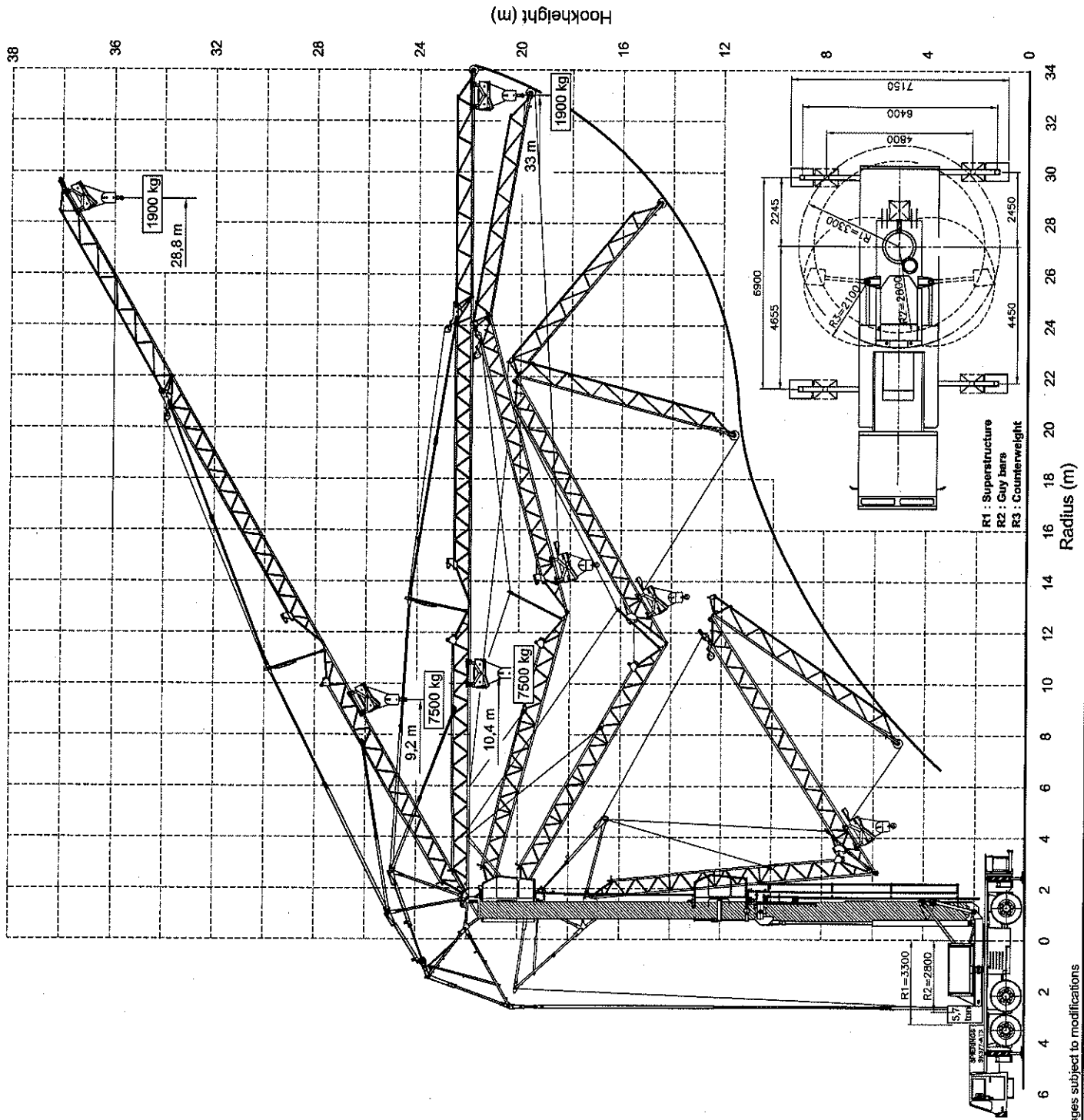


# SPIERINGS HYDRAULIC FOLDING CRANE SK 377 - AT3

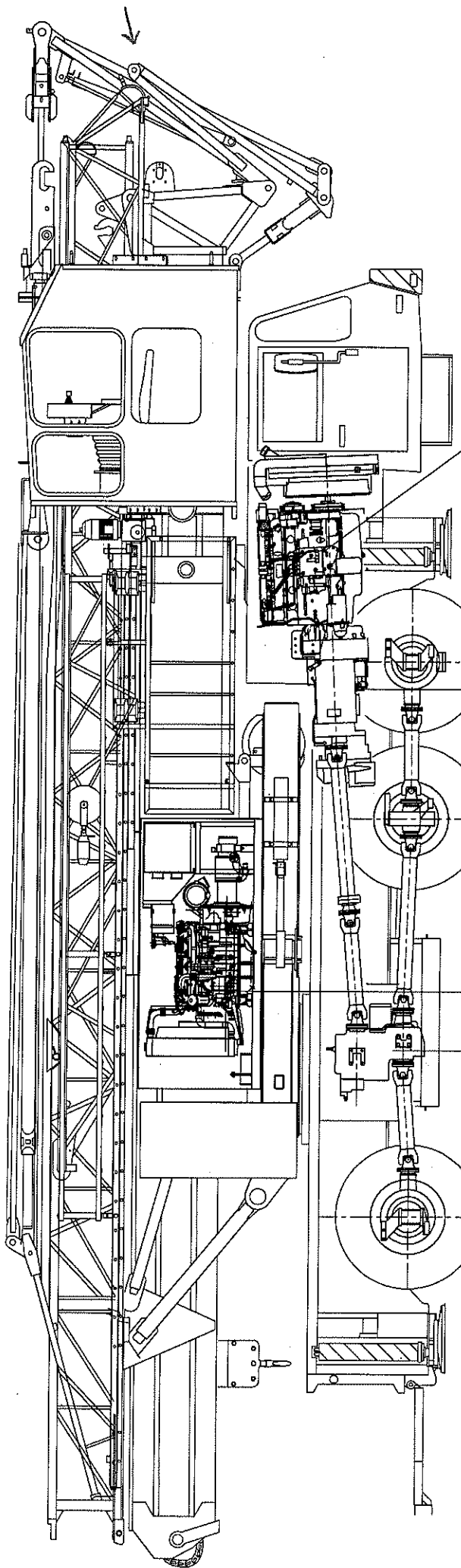
377072

## Erection procedure of the crane

- Max. outrigger force : 300 kN
- Outrigger support pads : 750x600 mm
- Ground pressure : 0,67 N/mm<sup>2</sup>
- Jib can be unfolded through 360°
- Luffing the jib 30° can be controlled from the crane cab or remote control



Meuwedestraat 15  
5347 KZ Oss NL  
Tel. +31 (0)412-626964  
Fax +31 (0)412-645299  
www.spieringscranes.com



**Axle 3**

Transferbox:  
 STEYR VG1600/396  
 Road gear: i=0,89  
 Off road gear: i=1,54

**Axle 2**

Crane diesel engine  
 John Deere 4045HF475  
 Power: 129 kW (2200 tpm)  
 Torque: 700 Nm (1400 tpm)

**Axle 1**

Gearbox:  
 ZF 16S151  
 Manually operated with  
 air power assistance  
 + dry plate clutch

Carrier diesel engine:  
 Euro IV  
 DAF: PR 265 (9,2 ltr)  
 Power: 265 kW (2200 tpm)  
 Torque: 1450 Nm (1700 tpm)

- Axle 1 : steer drive axle (i=7,29)
- Axle 2 : axle, (not steering, not driven)
- Axle 3 : steer drive axle (i=7,29)

Suspension: hydro-pneumatic on all axles; stroke cyl. : 247 mm

Tyres : 445/75 R22,5  
 Max. speed carrier : 85 km/h  
 Min. speed carrier (engine at 1000 rpm) : 1,8 km/h  
 Overall weight : 36000 kg



Mervedestraat 15  
 5347 KZ Oss NL  
 Tel. +31 (0)412-626964  
 Fax +31 (0)412-645299  
 www.spieringscranes.com

# Drive train Spierings Folding Crane SK377-AT3

Changes subject to modifications

62-00377106



**SPIERINGS  
KRANEN**

**Make: SPIERINGS Type: SK377-AT3**

**Crane specification**

Serial number: **377072**

Year of construction: **2008**

Crane group : 3 as per NEN 2018  
 Loadspectrum : 2 as per NEN 2018  
 Classification : A as per NEN 2018  
 Stability : as per NEN 2022

Max. radius  
with max. load

**10,4 m**

Max. load

**7,5 tonne**

Max. capacity

**78 tm**

Max. jib lenght

**33 m**

**Speeds**

Jib horizontal/ jib 30° luffed

	m/min	kg
	18	7500
	27	3750
	36	1875
	60	0

0 - 70 m/min

0 - 1 rpm

All motions with hydraulic proportional controls  
 Luffing the jib 30° can be controlled from crane cab or via remote control

Crane can be driven in its erected position under special conditions (refer user guide).

Rated lifting capacity is net capacity

Crane equipped with full counterweight: 5700kg

Continues slewing (360°) with outriggers out and support pads down.

2 Outriggers support bases: according to lifting chart

Operation allowed up to wind force 8 Bf (17 m/sec).

Sail area of the load max. 1,2 m² / tonne at a windforce of 7 on the Beaufortscale.

Operating temperature range from -15° to 40° C.

Max. line pull force 3750 kg; in all cases 2 parts of line

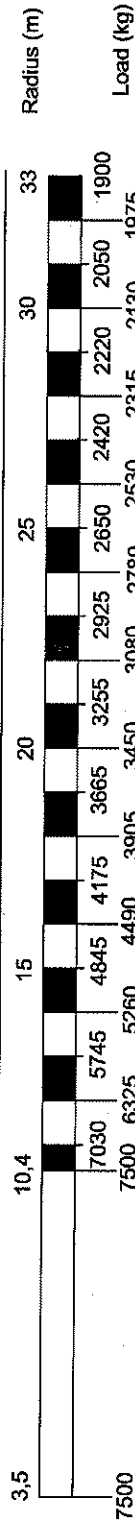
The crane should be folded in at a windforce of 9 Bf (21m/sec) or when not in use for a longer period

Changes subject to modifications

**LIFTING CHART Outrigger support base 6,90 m x 6,40 m**

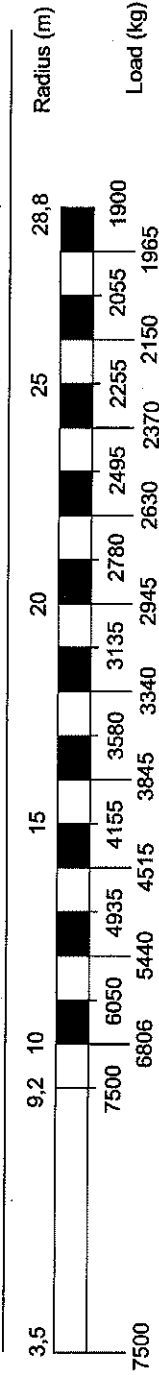
Jib horizontal

Hookheight 20 m (height under jib 21,9 m)



Jib 30° luffed

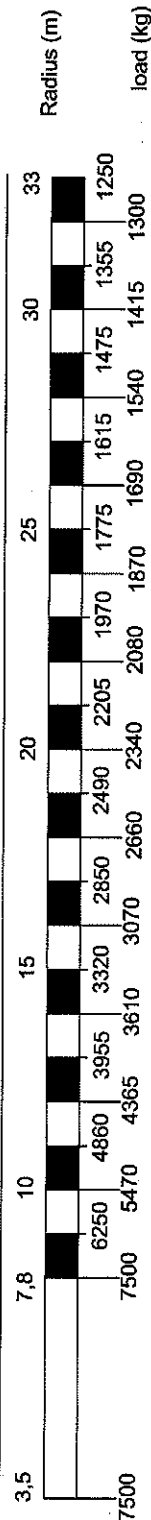
Hookheight (m)



**LIFTING CHART Outrigger support base 6,90 m x 4,80 m**

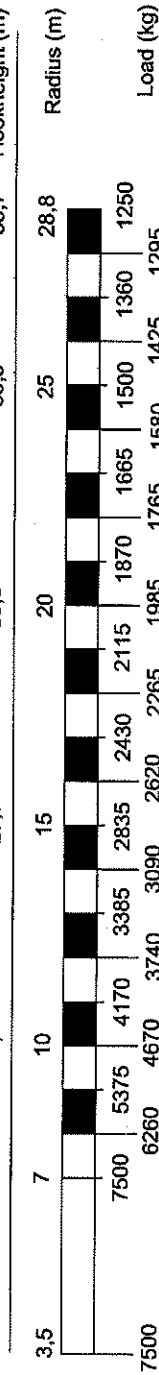
Jib horizontal

Hookheight 20 m (height under jib 21,9 m)



Jib 30° luffed

Hookheight (m)



# SPIERINGS HYDRAULIC FOLDING CRANE SK 377 - AT3

377072

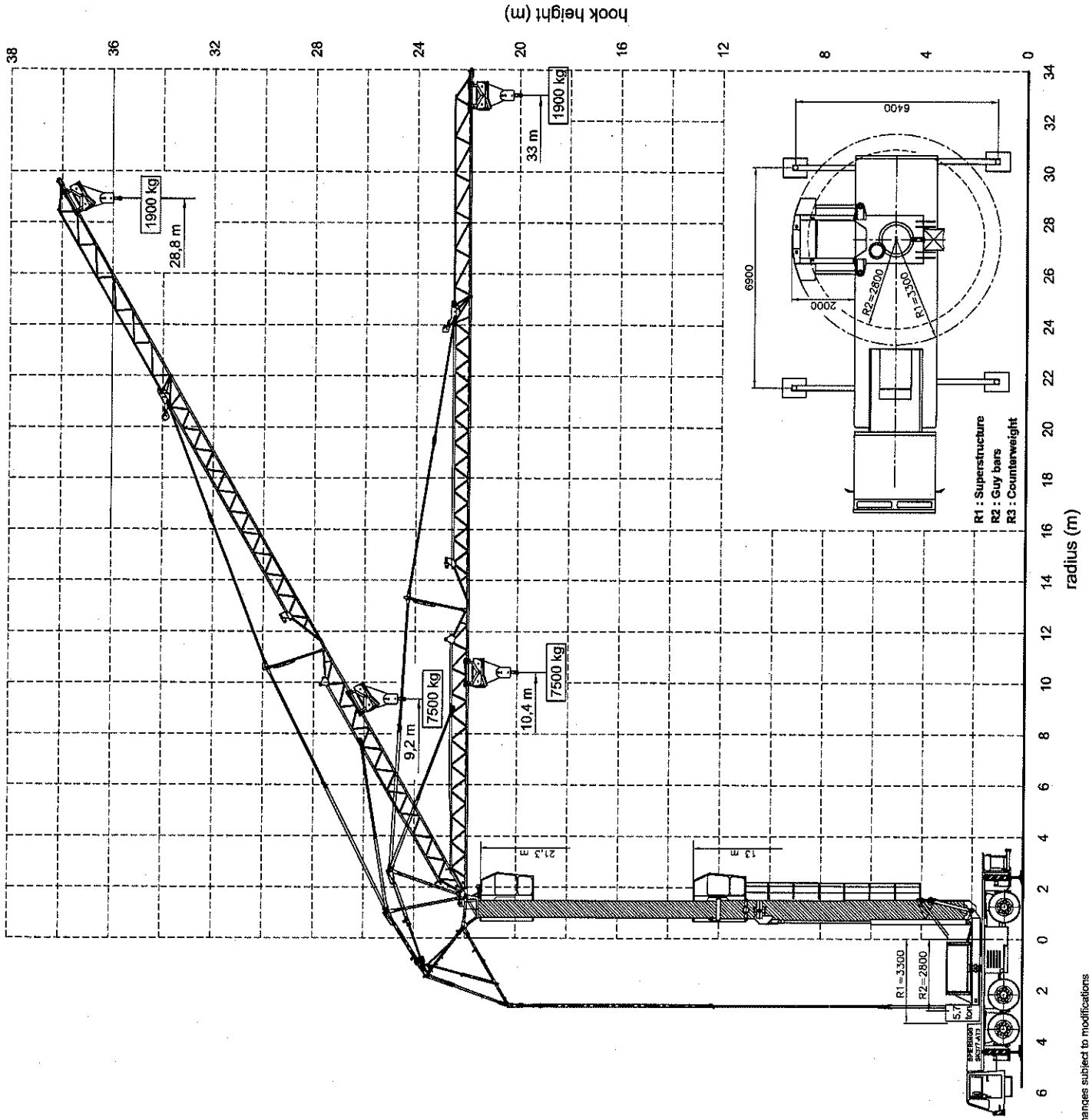
**Hoisting Specifications**  
**Outrigger square: 6,90 m x 6,40 m**



Merwedestraat 15  
5347 KZ Oss NL  
Tel. +31 (0)412-626964  
Fax +31 (0)412-645299  
www.spieringscranes.com

Changes subject to modifications

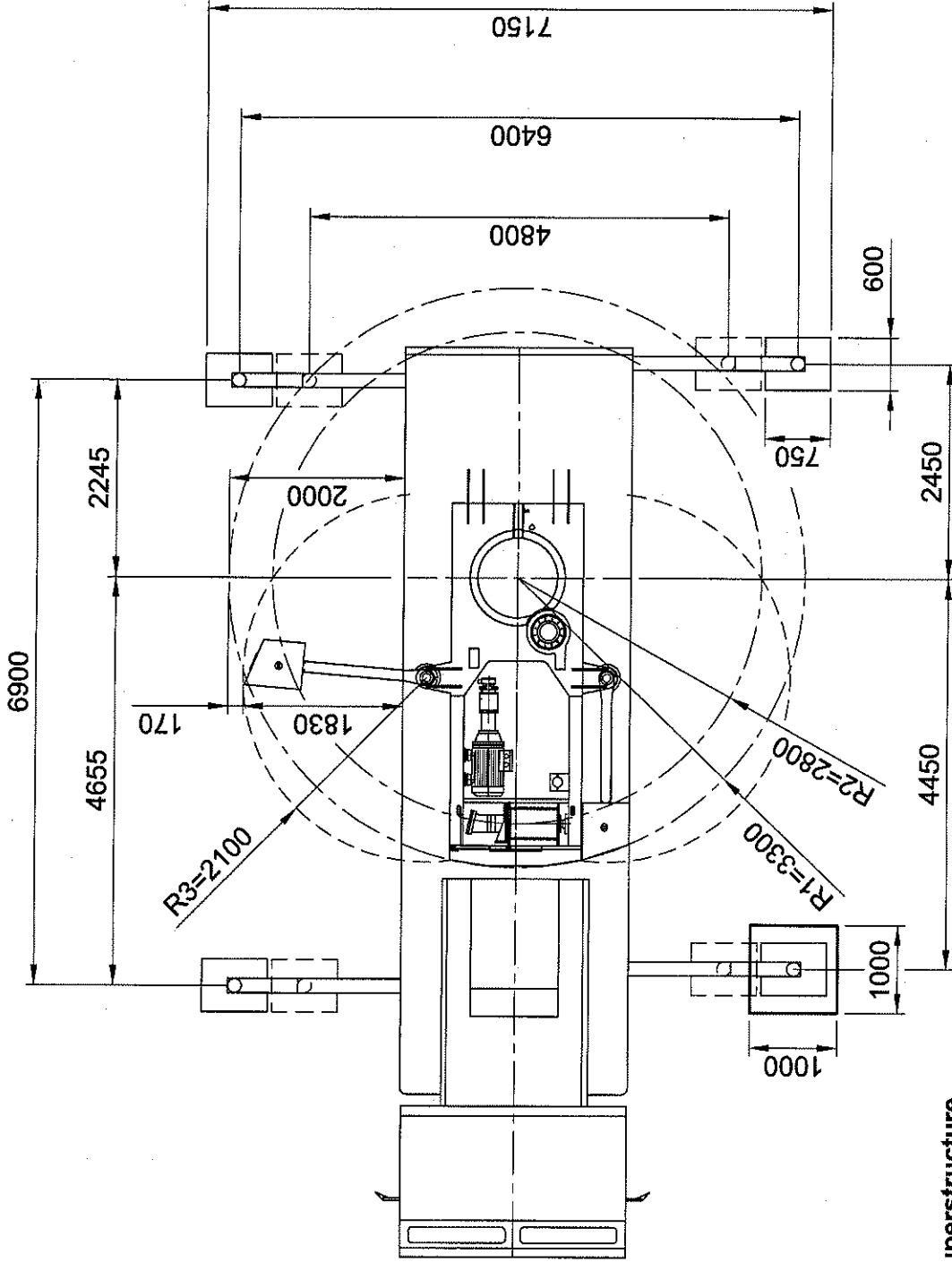
62-00377104



# SPIERINGS

## HYDRAULIC FOLDING CRANE SK 377-AT3

377072



Outrigger support base	
Max. outrigger force	300 kN
Outrigger support pads	750x600 mm
Ground pressure	0,67 N/mm <sup>2</sup>
Outrigger support plates	1000x1000 mm
Surface	1,00 m <sup>2</sup>
Ground pressure	0,30 N/mm <sup>2</sup>



Merwedestraat 15  
5347 KZ Oss NL  
Tel. +31 (0)412-626964  
Fax +31 (0)412-645299  
www.spieringscranes.com

62-00377107

R1 : Superstructure  
R2 : Guy bars  
R3 : Counterweight

Specifications subject to change